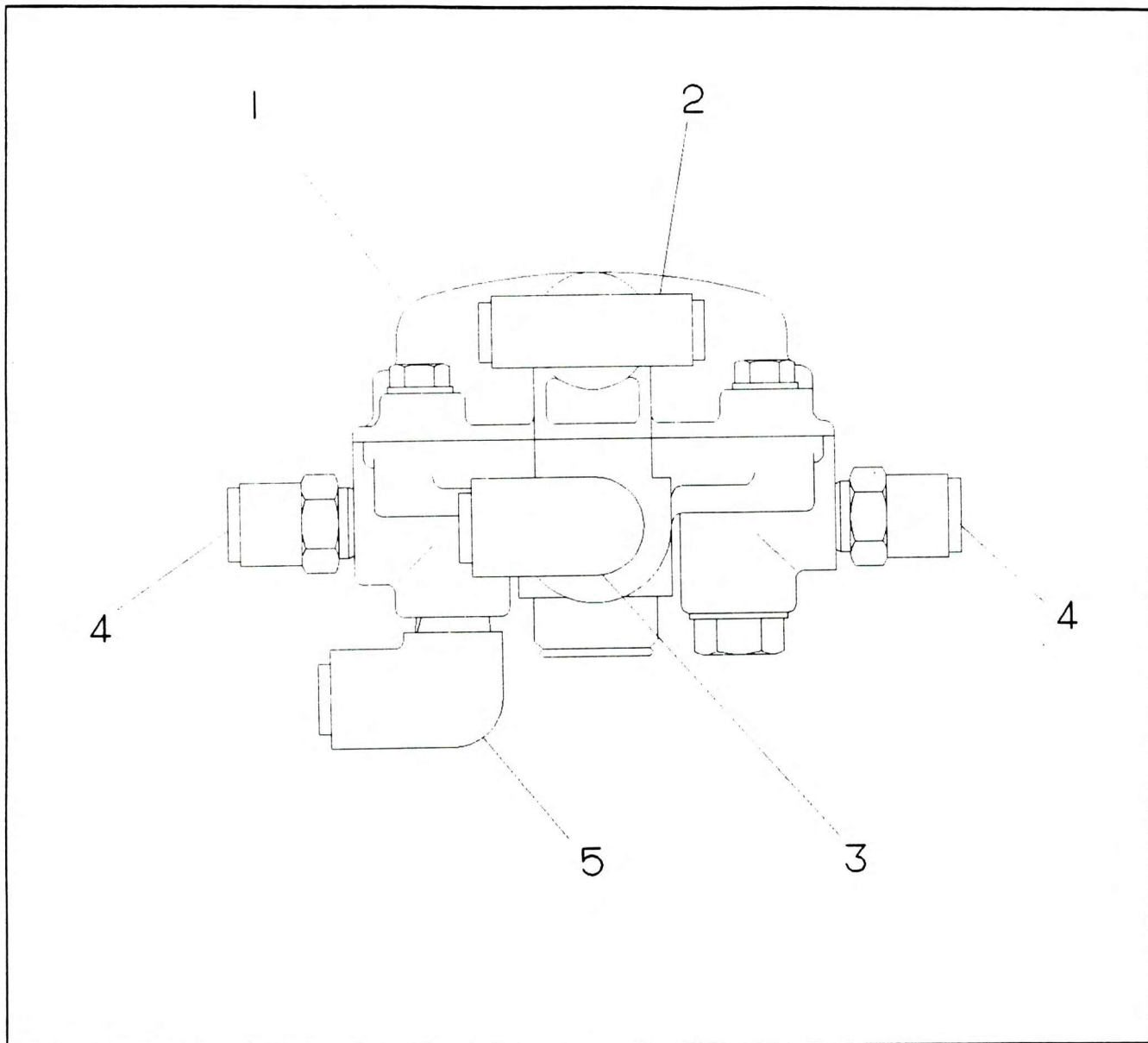


VALVE ASSEMBLY RELAY



NO.	PART NO.	QTY.	DESCRIPTION	NO.	PART NO.	QTY.	DESCRIPTION
1 +	7-926-990157	1	Relay Valve				
2	7-443-991004	1	Tee Adaptor				
3	7-443-991035	1	Fixed Elbow Adaptor				
4	7-443-990969	2	Adaptor $\frac{3}{8}$ " NPTF x $\frac{1}{2}$ " Tube				
5	7-443-991028	1	Fixed Elbow Adaptor				

+ See further breakdown in this group

6-926-990365

Issue No. 00